

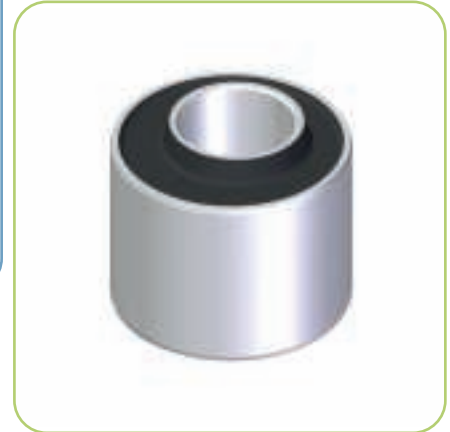
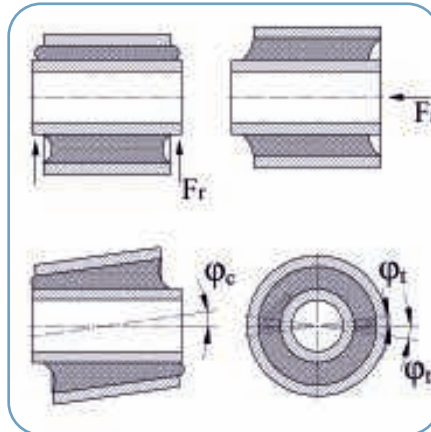
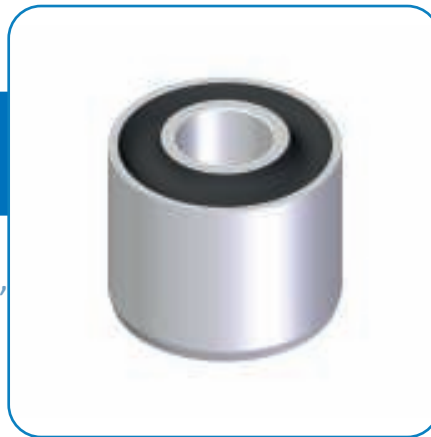
➤ Bushes



experientia
inovatie
promptitudine

Bushes

ultrabushes, ultra-bushes,
rubber-metal bushes,
rubber-metal bonded
bushes, flexible bushes,
window bushes,
eccentric bushes



Description:

The bushes are made of an outer and inner metallic pipe which are vulcanized together with a layer of high quality natural rubber.

The bushes dampen radial, axial, torsional and cardanic movements or forces.

They are produced with these general tolerances: $d1 \text{ } u10$, $d2 \text{ } H9$, $l1 \pm 0,5\text{mm}$ and $l2 \pm 0,3\text{mm}$. Other dimensions, tolerances, hardnesses and elastomers are available upon request.

Advantages:

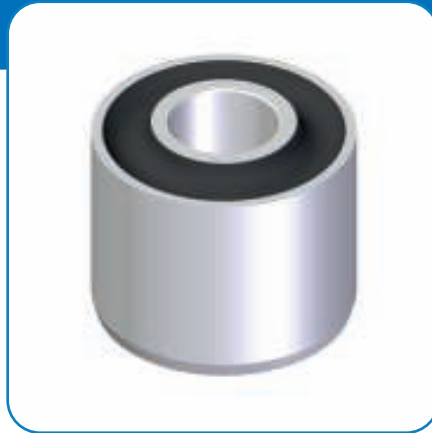
- ☐ reduces vibration and noise transmission;
- ☐ maintenance free;
- ☐ good coupling elements;
- ☐ compensates manufacturing tolerances.

As a resilient element connector, these bushes have wide range of application possibilities, such as for vibration machines, steering gears, housing for axes and shafts, etc.



Bushes

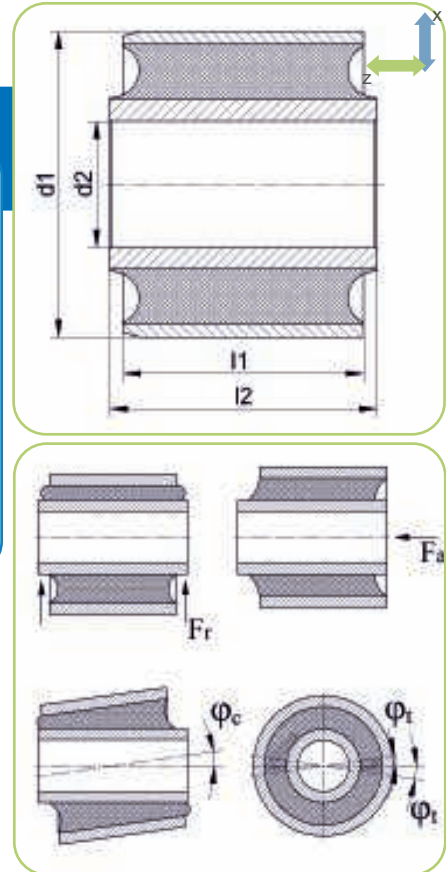
ultrabushes,
rubber-metal bonded
bushes, flexible bushes



Description:

The bushes are produced with these general tolerances: d1 u10, d2 H9, l1 ±0,5mm and l2 ±0,3mm.

Other dimensions, tolerances, hardnesses and elastomers are available upon request.



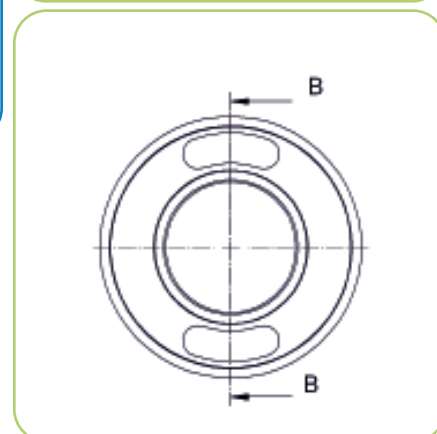
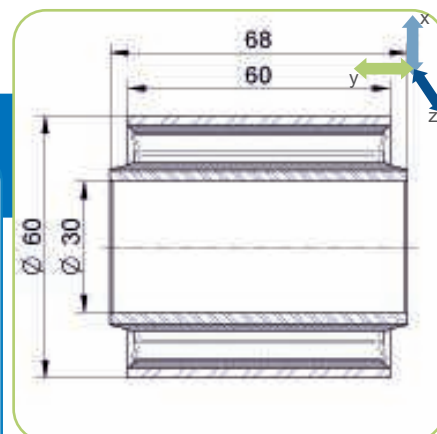
Dimensions and Technical data:

Bushes												
Dimensions				Radial		Axial		Torsional		Hardness Shore A	Product code	
d ₁ mm	d ₂ mm	l ₁ mm	l ₂ mm	F _r max N	s max mm	F _a max N	s max mm	Moment Nm	Angle °			
25	12	24	28	2600	0,4	600	1,5			60	100FLX010010	
30	12	17	18	740	0,5	360	1,9			60	100FLX010019	
30	12	36	40	2700	0,5	800	2			60	100FLX010011	
38	20	40	46	7000	0,5	1350	1,8			60	100FLX010006	
40	20	62	66	31000	0,6	4500	3,5			60	100FLX010017	
40u7	25	40	40	7100	0,5	1500	1,3			60	110FLX010002	
45	20	40	46	4000	0,9	1400	2,9			60	100FLX010007	
45	20	59,5	62,5	8000	1,4	1770	4			50	100FLX010008	
45	20	64	70	9500	0,9	2300	3			60	100FLX010004	
50	24	64	70	8000	1	3200	3,5			60	100FLX010018	
50	30	60	66	18000	0,6	2700	2,2			60	100FLX010014	
62f7	40z8	40 ⁰ _{-0,1}	42 ⁰ _{-0,1}	19000	0,5	3700	2,5			60	100FLX010016	
65	30	60	70	5000	1,5	3000	4,5			45	100FLX010020	



100 FLX01 0015

Window bush



Description:

The window bush 100FLX010015 is made of an outer and inner metallic pipe which are vulcanized together with a layer of high quality natural rubber; the rubber layer has two holes running on the whole length of the product. This design give to the window bush a different spring rate on X compared with Z axis.

The window bush can be used in different applications where a difference in springrate on X and Z axis is needed.

Spring rate on X axis: 2170 N/mm.

Spring rate on Z axis: 6580 N/mm.

Spring rate on Y axis: 540 N/mm.

Advantages:

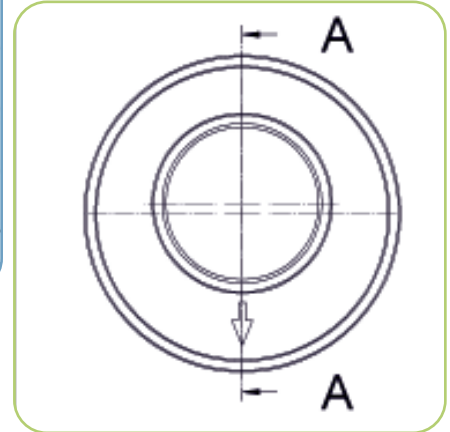
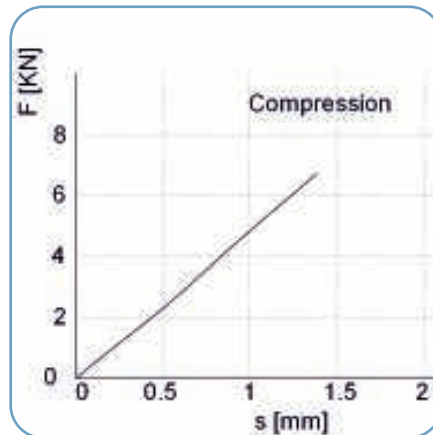
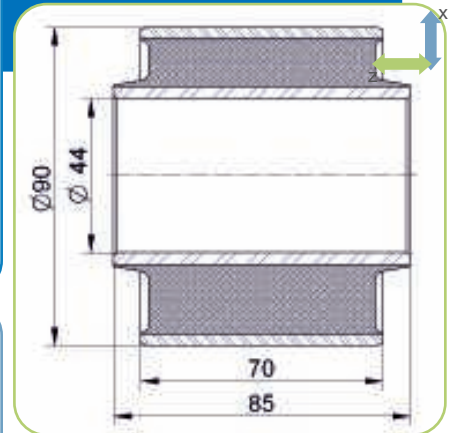
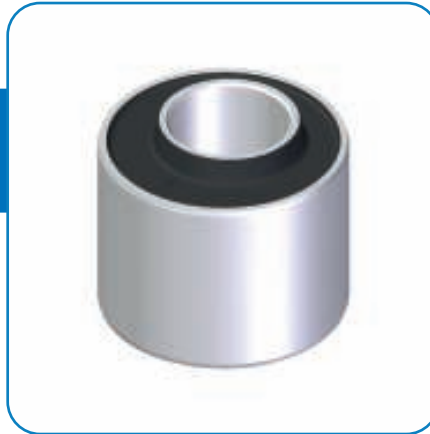
- reduces vibration and noise transmission;
- maintenance free;
- different spring rate on X and Y axis.

Other dimensions, tolerances, hardnesses and elastomers are available upon request.



Eccentric bush

Eccentric bush



Description:

The eccentric bush is made of an outer and inner metallic pipe which are vulcanized together with a layer of high quality natural rubber; the center of the two metallic pipes are not on the same axis; this gives to the eccentric bush different spring rate in different directions.

The eccentric bush can be used as a cabin mount in off-highway equipments; in this application it will dampen the vibration that is transmitted from the engine to the cabin. The design ensures that the eccentric bush is capable to withstand the weight of the cabin and of the passengers.

Advantages:

- reduces vibration and noise transmission;
- maintenance free;
- lower cost solution.

The eccentric bush is produced with these general tolerances: $90^{+0,15\text{mm}}$, 44 H9mm , $70\pm 0,5\text{mm}$ and $85\pm 0,3\text{mm}$.

Other dimensions, tolerances, hardnesses and elastomers are available upon request.



FLEXIBIL srl

3 Subdura Street, code 437229
Săsar, Maramures County, Romania

P: +40 362 40 11 50

P: +40 262 34 90 34

F: +40 362 40 11 51

email: office@flexibil.com



Contact:

Sales: **Nicolae Borota (EN)**
e-mail: nborota@flexibil.com

Horea Cosmin Cordos (EN, DE)
e-mail: hcordos@flexibil.com

Radu Rusu (EN, DE)
e-mail: rrusu@flexibil.com

F. direct: +40 362 40 45 05